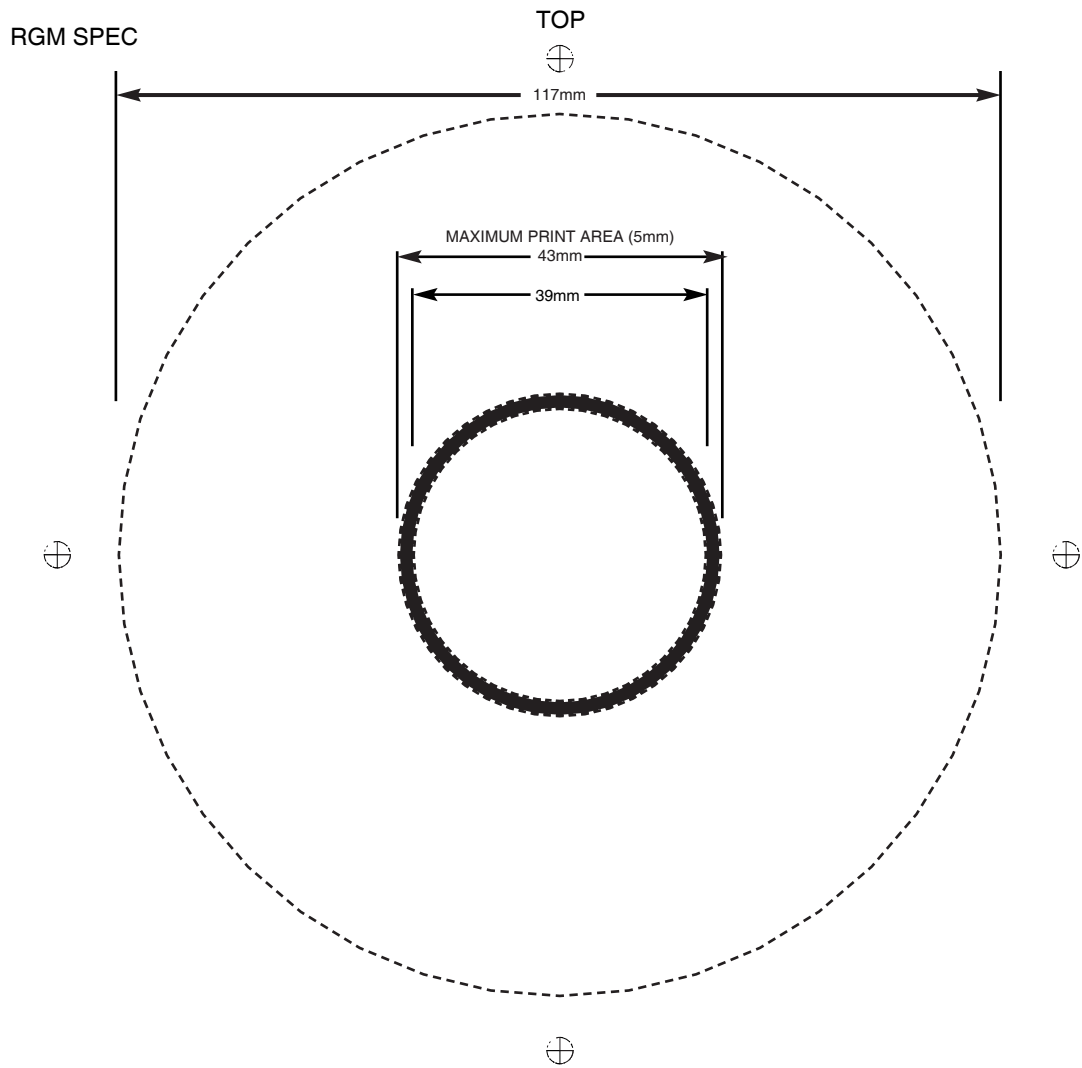


DVD 10 DISC LABELLING SPECIFICATION



	Cro.no Title Customer Cat No.		format version date colours	DVD 1 5
BLACK CYAN MAGENTA YELLOW WHITE BASE				

TECHNICAL PRINTING SPECIFICATIONS

	<u>SCREEN</u>	<u>OFFSET</u>
Lpi	100-133 (120)	175-200 (175)
DOT SHAPE	ELLIPTICAL	ROUND
EMULSION	UP (POSITIVE)	DOWN (NEGATIVE)
MINIMUM FONT SIZE	5 PTS	5 PTS
TONAL RANGE	11-89%	3-97%
DENSITY	3.5 OR ABOVE	3.5 OR ABOVE
DIE LINES	NONE	NONE
READING	RIGHT	RIGHT
REGISTRATION MARKS	6mm FROM EDGE	6mm FROM EDGE

N.B. RESOLUTIONS BELOW THE RECOMMENDED LPI WILL RESULT IN GRAINY, LOW QUALITY IMAGES ON THE DISC. RESOLUTIONS ABOVE 133 LPI WILL ALSO RESULT IN POOR QUALITY PRINT.

<u>Angling of 4-colour halftone rulings : CMYK</u>		
CYAN	15°	75°
MAGENTA	45°	15°
YELLOW	0°	0°
BLACK	75°	45°

<u>Angling of 3-colour halftone rulings</u>		
Darker Colour	45°	N/A
Lighter Colour	15°	N/A
Third Colour	75°	N/A

<u>Angling of 2-colour halftone rulings</u>		
Darker Colour	45°	N/A
Lighter Colour	75°	N/A

N.B. The order in which the colours are printed can affect the finished print image. Please specify the order in which colours are to be printed.

<u>Angling of single colour halftone rulings</u>		
Dot Angle	45°	N/A

PROOFS-IMPORTANT!!!

It is **ESSENTIAL** that a proof is supplied with all picture disc/four colour process artwork in order for suitable colour match to be made. Unless we receive an appropriate proof, or are requested to provide a proof which is subsequently approved we cannot guarantee that intended colours will be satisfactorily reproduced. This description of proofs applies to both analogue and digital proofing systems.

N.B. Due to the reflectivity of the aluminium discs, the overall effect of printing a four colour process image onto the silver substrate will be significantly different from that of printing on white paper. Should you wish to achieve a similar effect to the colours on a proof, please provide a base film and mark it clearly that it is to be printed in white.

Preferably the white base should be set up as a second plate coloured RGB spot:-

R=80 G=80 B=80

A base (white or any other colour) will be counted as one colour for pricing purposes.

CD PRINT AREA SPECIFICATION

BLACK AREA: NO PRINT AREA

GREY AREA: PRINT AREA

